

CD 110 Dream DELUXE

BLACK WITH BLUE



BLACK WITH GREEN



BLACK WITH RED



BLACK WITH GREY



TECHNICAL SPECIFICATIONS*

	Parameters	Measurements
Body Dimensions	Length	2044 mm
	Width	736 mm
	Height	1076 mm
	Wheelbase	1285 mm
	Ground Clearance	162 mm
	Kerb Weight	112 kg
	Fuel Tank Capacity	9.1 L
Engine	Type	4 Stroke, SI, BS-VI Engine
	Displacement	109.51cc
	Max Engine Output	6.47 kW @ 7500 rpm
	Max Torque	9.30 N-m @ 5500 rpm
	Fuel System	PGM- FI
	Bore x Stroke (mm)	47 X 63.121
	Compression Ratio	10.1:1
Transmission	Starting Method	Self/Kick
	Clutch Type	Multiplate Wet Clutch
Tyres & Brakes	No. of Gears	4 Gears
	Tyre Size & Type (Front)	80/100-18 M/C 47P, Tubeless
	Tyre Size & Type (Rear)	80/100-18 M/C 54P, Tubeless
	Brake Type & Size (Front)	Drum - 130 mm
Frame & Suspension	Brake Type & Size (Rear)	Drum - 130 mm
	Frame Type	Diamond Type
	Front Suspension	Telescopic
Electricals	Rear Suspension	Hydraulic Type
	Battery	12V, 4Ah
	Headlamp	Halogen Bulb, DC

Authorised Dealer

Honda Motorcycle & Scooter India Pvt Ltd.

Registered Office : Plot No. 1, Sector - 03, IMT Manesar, Distt. Gurugram, (Haryana) - 122050, India. Website : www.honda2wheelersindia.com Customer Care : customercare@honda2wheelersindia.com

*The technical specifications and design of the vehicle may vary according to the requirements and conditions without prior notice. CD 110 Dream Deluxe meets Bharat Stage VI norms. Product shown in the picture may vary from the actual product available in the market. Accessories shown in the picture are not part of the standard equipment. **Conditions Apply.



CD 110 Dream DELUXE

Kamaal per litre



BOOK ONLINE NOW!
www.honda2wheelersindia.com





CD 110
Dream **DELUXE**
Kamaal
per litre

Here is a ride that is full of wonders.

Presenting the new **CD 110 Dream Deluxe.**

Experience great power and ride quality that comes from its improved 110cc engine with eSP Technology. Together, they ensure higher power and torque output without compromising on its superb mileage. Among its other wonders are the new-age style quotient and safety features that are sure to elevate your overall riding experience.

CD 110
wonderful
technology



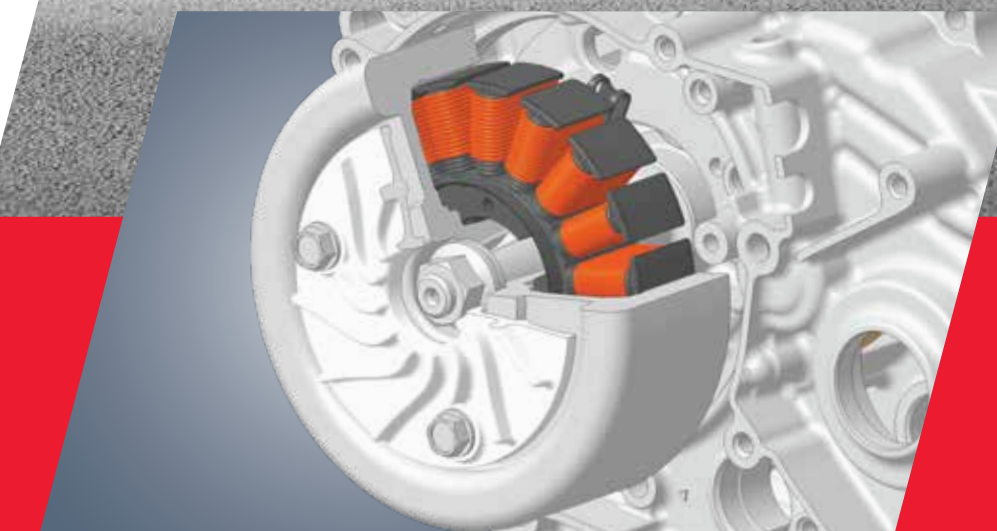
110cc BS-VI Engine with eSP Technology

Better than ever, the latest innovation in the engine not just delivers unmatched performance but also makes it environment-friendly. It comes with Honda's Enhanced Smart Power (eSP) technology that maximises performance and fuel efficiency by reducing friction and its BS-VI OBD2 compliant engine keeps emission in check. The ACG Starter integrated with eSP technology starts the engine silently, making you admire its wonderful riding experience.



Tubeless Tyre

Go the extra mile with tubeless tyre.



Silent Start with ACG

Making every start a smooth, silent start is Honda's unique ACG starter motor. It removes gear meshing noise and helps start the engine without a jolt.

CD 110 amazing style



Stylish Graphics

Attractive tank and side cowl graphics lift the overall style quotient.



DC Headlamp

Its powerful and bright beam of light gives steady illumination, irrespective of speed and riding conditions.



Impressive Chrome Muffler Cover

Enhances the style and looks of the motorcycle.



Graceful Silver Alloy Wheels

Designed to leave a style statement per revolution.

CD110 great comfort



CBS with Equalizer

The Equalizer Technology in Combi Brake System always puts you in control. It distributes the optimal braking force between front and rear wheels, ensuring shorter braking distance with rock-solid balance.



Integrated Engine Start/Stop Switch

Start and stop the bike with a flick of a switch. It can't get easier than this.



Seal Chain

Low on maintenance. High on durability. It sets you free from any unpleasant surprises.



Side Stand Engine Cut Off

First-in-segment and a great safety feature, it shuts the engine when the side stand is engaged.



MF Battery and Viscous Filter

With less maintenance required for MF Battery and Viscous Filter, you can always ride relaxed.



3 + 7 Years Warranty Package

Complete peace of mind with 10 years warranty package, comprising 3 years standard and 7 years optional service warranty.



Longer and Comfortable Seat

Good road. Bad road. Short trips. Long trips. Whatever. It makes every ride comfortable for the rider and the pillion.